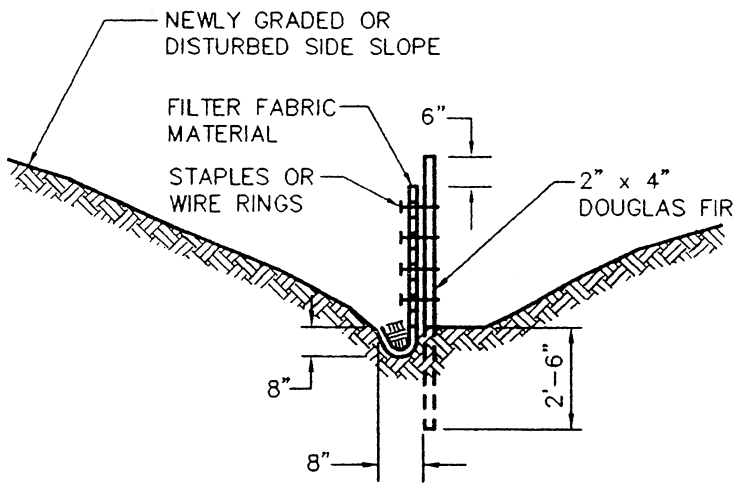
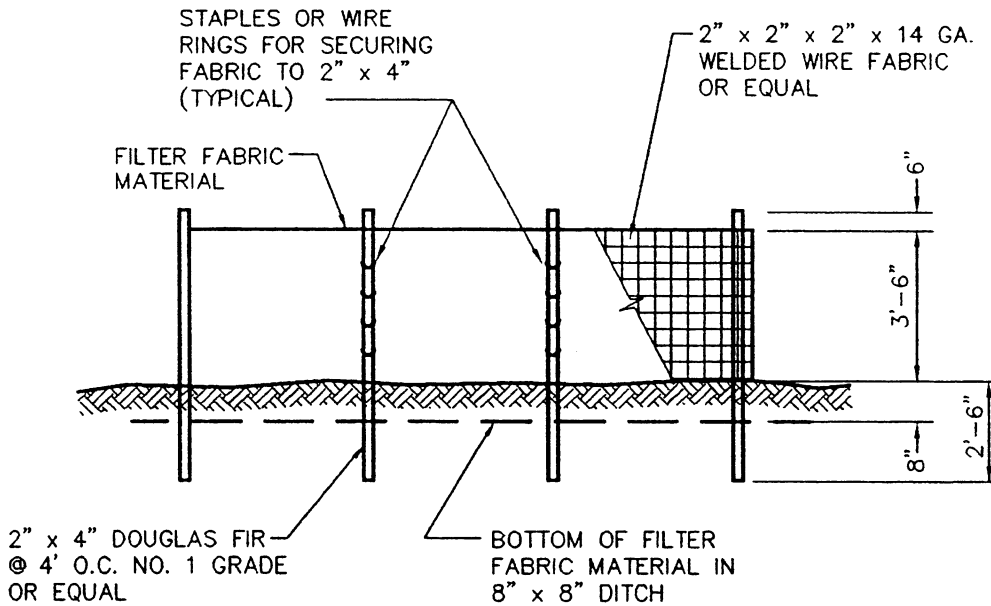


NOTES:

1. WHERE POSSIBLE, MAINTAIN NATURAL VEGETATION FOR SILT CONTROL
2. TEMPORARY SILTATION TO BE CONSTRUCTED BY PLACING FILTER FABRIC FENCES ACROSS SWALES UTILIZING FILTER SYSTEM PRIOR TO DISCHARGE
3. ALL TEMPORARY SILTATION SHALL BE MAINTAINED IN A SATISFACTORY CONDITION UNTIL SUCH TIME THAT CLEARING AND/OR CONSTRUCTION IS COMPLETED AND SURFACE RESTORATION HAS BEEN COMPLETED
4. RETURN SILTATION CONTROL AREAS TO ORIGINAL GROUND CONDITIONS, UNLESS SPECIFICALLY DIRECTED OTHERWISE BY THE CITY



CROSS SECTION



ELEVATION

SILT FENCE

CITY OF LONG BEACH			
SILT FENCE			
APPROVED:			DWG. NO.
_____			EC-1
BY CITY		DATE	
DATE:	DRWN:	CHKD:	SCALE:
8/96	J.H.	TT.J.O.	NONE